

1/2.7" Megapixel IR Series

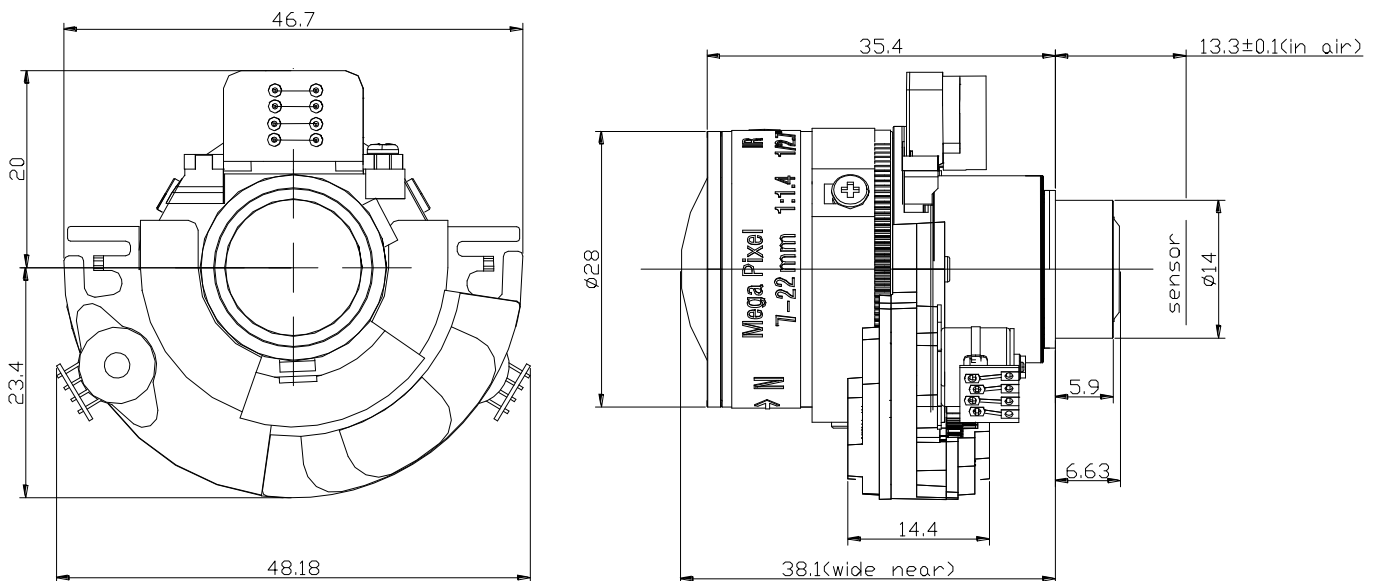
NV0722PB.IR-MFZ-B

- 7 - 22mm
- $\Phi 14$ Mount
- 1/2.7" Format
- P-Iris
- 3 Megapixel
- IR Correction



有效焦距	E.F.L.	7 ~ 22 mm	
相对孔径	F No.	F1.4	
水平视角	H.FOV	1/2.8" 1080P	43° ~ 14°
像面尺寸	Image Format	1/2.7"(max)	
光圈类型	Iris Type	P-Iris	
接口类型	Mount Type	$\Phi 14$	
近 摄 距	M.O.D	1m	
畸 变	TV Distortion	1/2.8" 1080P	-5% (wide)
主 光 角	Chief Ray Angle (Max)	<11°	
操控方式	Control Type	变倍 Zoom	Stepping Motor
		聚焦 Focus	Stepping Motor
工作温度	Operating Temperature	-20°C ~ 60°C	
镜头重量	Weight	33g ± 3 g	

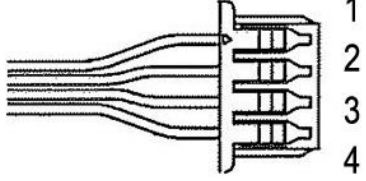
尺寸规格 Dimensions



Tolerance(mm)	0 ~ 10 ± 0.05	10 ~ 30 ± 0.10	30 ~ 120 ± 0.20	Angle $\pm 2^\circ$
---------------	-------------------	--------------------	---------------------	---------------------

P-Iris

1. Connector and Cord Specification

	1	1	White	\bar{A}
	2	2	Black	B
	3	3	Red	A
	4	4	Green	\bar{B}
Connector	Housing		Molex 51021-0400	
	Terminal		Molex 50058-8000	
	Pitch		1.25mm	
	Cable Length		90mm	

2. P-Iris Specification

Stepping Motor	Motor Type	PM type stepping motor
	No. of Phases	2 phases
	No. of Iris steps	92 steps
	Coil Resistance	28.5Ω/phase, at 20°C
	Storage Temperature	-30 ~ 70°C
Operating	Operation Voltage	2.6 ~ 3.8V
	Operation Frequency	200 ~ 800pps
	Operation Temperature	-20 ~ 60°C

3. Iris

Pin	Step			
	1	2	3	4
A	H	L	L	H
\bar{A}	L	H	H	L
B	H	H	L	L
\bar{B}	L	L	H	H

Iris Open → Close: 1 → 2 → 3 → 4 → 1...

Iris Close → Open: 4 → 3 → 2 → 1 → 4...

MFZ

1. Connector and Cord Specification

	1	1	White	Zoom	A
	2	2	Green	Zoom	\bar{A}
	3	3	Red	Focus	A
	4	4	Orange	Focus	\bar{A}
	5	5	Brown	Focus	B
	6	6	Yellow	Focus	\bar{B}
	7	7	Blue	Zoom	B
	8	8	Black	Zoom	\bar{B}
Connector	Housing		Molex 51021-0800		
	Terminal		Molex 50058-8000		
	Pitch		1.25mm		
	Cable Length		170mm		

2. MFZ Specification

Stepping Motor	Motor Type	PM type stepping motor
	No. of Phases	2 phases
	No. of Focus steps	1920 steps
	No. of Zoom steps	584 steps
	Coil Resistance	21Ω/phase, at 20°C
	Storage Temperature	-30 ~ 70°C
Operating	Operation Voltage	3.5 ~ 5V
	Operation Frequency	200 ~ 800pps
	Operation Temperature	-20 ~ 60°C

3. Focus and Zoom

Pin			1	2	3	4
1	Zoom	A	H	H	L	L
2	Zoom	\bar{A}	L	L	H	H
7	Zoom	B	L	H	H	L
8	Zoom	\bar{B}	H	L	L	H
3	Focus	A	H	H	L	L
4	Focus	\bar{A}	L	L	H	H
5	Focus	B	L	H	H	L
6	Focus	\bar{B}	H	L	L	H

ZoomWide→Tele: 1 →2 →3 →4 →1...

ZoomTele→Wide: 4 →3 →2 →1 →4...

FocusNear→Far: 1 →2 →3 →4 →1...

FocusFar→Near: 4 →3 →2 →1 →4...