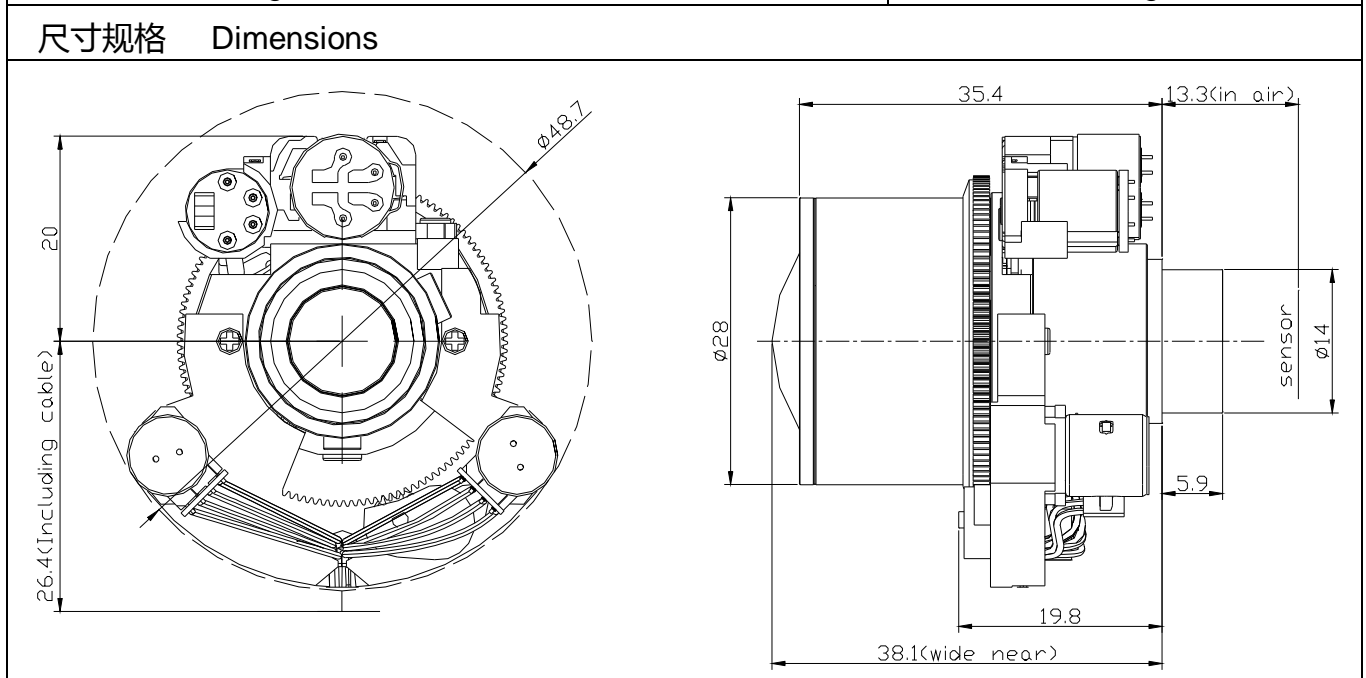


1/2.5" Megapixel IR Series

TV0922DB.ICR-MFZ2.0

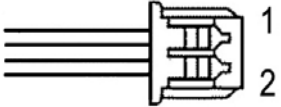


有效焦距	E.F.L.	9 ~ 22 mm	
相对孔径	F No.	F1.4	
接口类型	Mount Type	Φ14	
水平视角	H.FOV	1/2.5" 4:3	38° ~ 17
像面尺寸	Image Format (Max)	1/2.5"	
光圈类型	Iris Type	DC-Iris & IR-Cut	
近 摄 距	M.O.D	1m	
畸 变	TV Distortion	1/2.5" 4:3	-5% (wide)
操控方式	Control Type	变倍 Zoom	Stepping Motor
		聚焦 Focus	Stepping Motor
工作温度	Operating Temperature	-20°C ~ 60°C	
镜头重量	Weight	33g	



IR-Cut

1. Connector and Cord Specification

		Housing	Molex 51021-0200
		Terminal	Molex 50058-8000
		Pitch	1.25mm
1. Red	2. Black	Cable Length	100mm

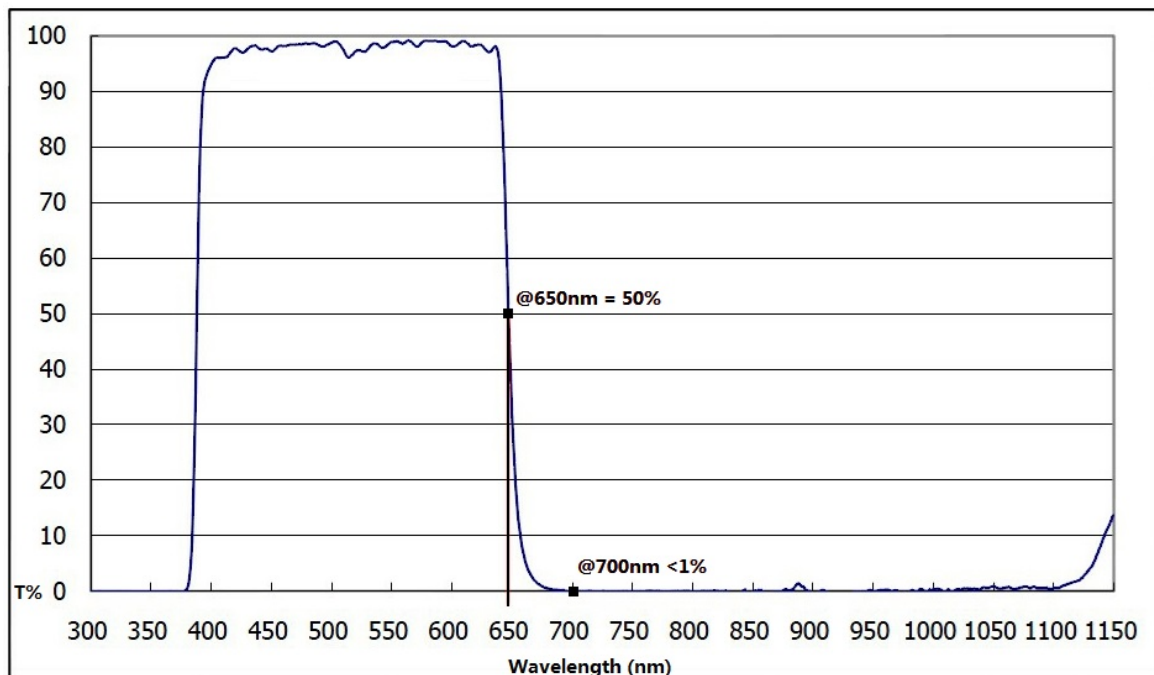
2. IR-Cut Specification

Motor	Driving Coil	240 at 20°C
	Storage Temperature	-30 ~ 70°C
Operating	Operating Voltage	3.5 ~ 5V
	Operating Mode	One-shot (100 ~ 200ms)
	Temperature	-20 ~ 60°C

3. IR-Cut Filter

IR Mode	Day Mode
1. Red +	1. Red -
2. Black -	2. Black +

4. IR-Cut Optical Characteristic Curve



DC-Iris

1. Connector and Cord Specification

	1	1	Yellow	Damping	+
	2	2	Orange	Damping	-
	3	3	Brown	Driving	+
	4	4	Red	Driving	-
Connector	Housing		Molex 51021-0400		
	Terminal		Molex 50058-8000		
	Pitch		1.25mm		
	Cable Length		100mm		

2. DC-Iris Specification

DC Motor	Driving Coil	190Ω at 20℃
	Damping Coil	855Ω at 20℃
	Storage Temperature	-30 ~ 70℃
Operating	Voltage (Open)	3.5 ~ 5V
	Voltage (Close)	<0.5V
	Operating Temperature	-20 ~ 60℃

MFZ

1. Connector and Cord Specification

	1	1	White	Zoom	A
	2	2	Green	Zoom	\bar{A}
	3	3	Red	Focus	A
	4	4	Orange	Focus	\bar{A}
	5	5	Brown	Focus	B
	6	6	Yellow	Focus	\bar{B}
	7	7	Blue	Zoom	B
	8	8	Black	Zoom	\bar{B}
Connector	Housing		Molex 51021-0800		
	Terminal		Molex 50058-8000		
	Pitch		1.25mm		
	Cable Length		170mm		

2. MFZ Specification

Stepping Motor	Motor Type	PM type stepping motor
	No. of Phases	2 phases
	No. of Focus steps	3480 steps
	No. of Zoom steps	880 steps
	Coil Resistance	21Ω/phase, at 20°C
	Storage Temperature	-30 ~ 70°C
Operating	Operation Voltage	3.5 ~ 5V
	Operation Frequency	200 ~ 800pps
	Operation Temperature	-20 ~ 60°C

3. Focus and Zoom

Pin			1	2	3	4
1	Zoom	A	H	H	L	L
2	Zoom	\bar{A}	L	L	H	H
7	Zoom	B	L	H	H	L
8	Zoom	\bar{B}	H	L	L	H
3	Focus	A	H	H	L	L
4	Focus	\bar{A}	L	L	H	H
5	Focus	B	L	H	H	L
6	Focus	\bar{B}	H	L	L	H

ZoomWide→Tele: 1 →2 →3 →4 →1...

ZoomTele→Wide: 4 →3 →2 →1 →4...

FocusNear→Far: 1 →2 →3 →4 →1...

FocusFar→Near: 4 →3 →2 →1 →4...