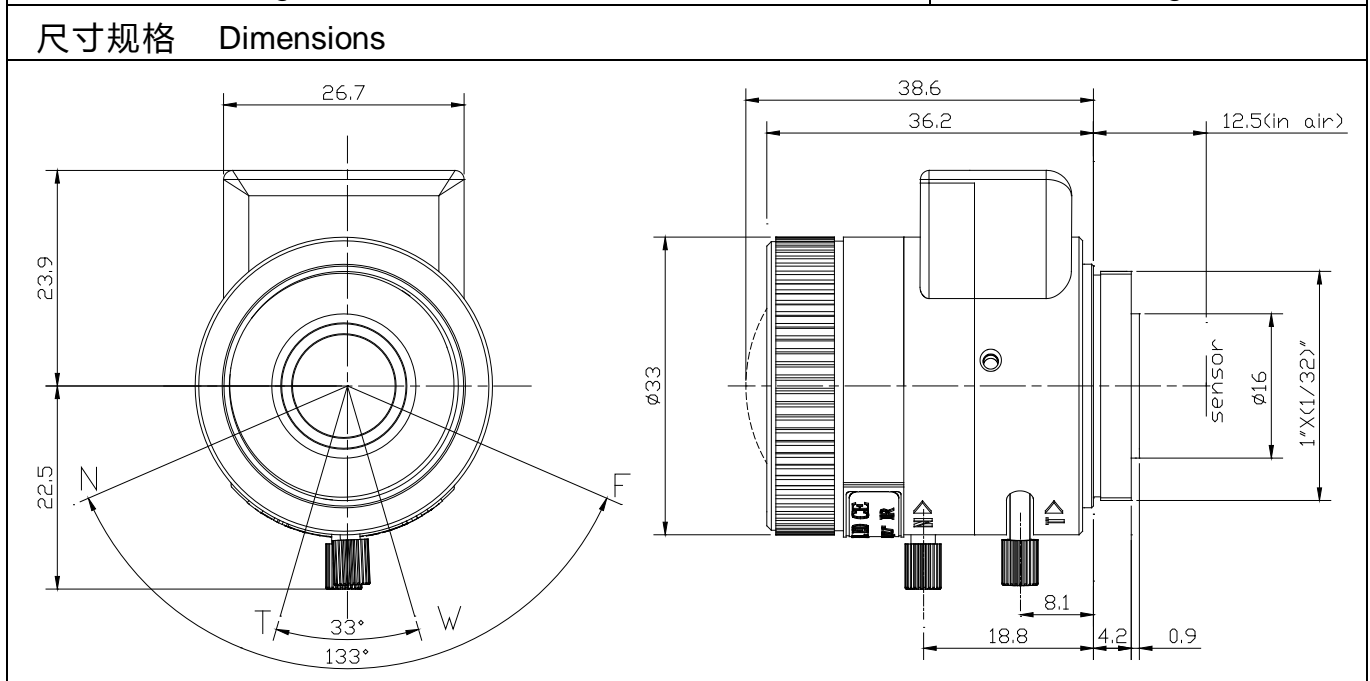


1/2.5" Megapixel IR Series

TV0922P.IR-B-S

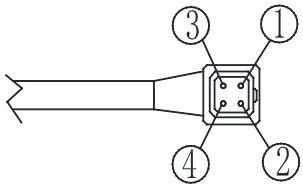


有效焦距 E.F.L.	9 ~ 22 mm	
相对孔径 F No.	F1.4	
接口类型 Mount Type	CS	
水平视角 H.FOV	1/2.5" 4:3	38° ~ 17
像面尺寸 Image Format (Max)	1/2.5"	
光圈类型 Iris Type	P-Iris	
近 摄 距 M.O.D	1m	
畸 变 TV Distortion	1/2.8" 1080P	-5% (wide)
操控方式 Control Type	变倍 Zoom	Manual
	聚焦 Focus	Manual
工作温度 Operating Temperature	-20°C ~ 60°C	
镜头重量 Weight	39g	



P-Iris

1. Connector and Cord Specification

	1	B
	2	A
	3	\bar{A}
	4	\bar{B}
	Connector	Square 4pin
	Cable Length	250mm

2. P-Iris Specification

Stepping Motor	Motor Type	PM type stepping motor
	No. of Phases	2 phases
	No. of Iris steps	92 steps
	Coil Resistance	28.5Ω/phase, at 20°C
	Storage Temperature	-30 ~ 70°C
Operating	Operation Voltage	2.6 ~ 3.8V
	Operation Frequency	200 ~ 800pps
	Operation Temperature	-20 ~ 60°C

3. Iris

Pin	Step			
	1	2	3	4
A	H	L	L	H
\bar{A}	L	H	H	L
B	H	H	L	L
\bar{B}	L	L	H	H

Iris Open → Close: 1 → 2 → 3 → 4 → 1...

Iris Close → Open: 4 → 3 → 2 → 1 → 4...